

USER'S MANUAL

STM-206x25

WDM Single SC Fast Ethernet Media Converter
10/100Base-TX to 100Base-FX

BEWARD STM-206 series is among answers to expanding existing Fast Ethernet networks.

The easy implementation and expansion of 100Base-TX/FX networks can be further assured with this converter. The converter is completely transparent when connected so the network performs exactly the way it did before - only now, it allows the co-existence of both copper and fiber mediums. The STM-206 allows the installation of fiber cabling anywhere within a Fast Ethernet network topology by directly connecting to existing devices. Its compact modular design facilitates deployment in a narrow desktop location to save space. STM-206 media converter can be used as a standalone.

Key Features

- Power from External Power Adapter
- Choice of SC connector for single mode
- Supports packet length up to 1536 bytes
- RoHS Compliance

WDM Single Fiber

The Single Fiber converter is specially designed with an optic Wavelength Division Multiplexing (WDM) model that can transport Bi-directional full duplex signal over a single fiber simultaneously. Single Fiber Model TX, RX Wavelength:

The Converter STM-206A25: single-mode, 20km, TX (Transmit) 1310nm, RX (Receive) 1550nm.

The Converter STM-206B25: single-mode, 20km, TX (Transmit) 1550nm, RX (Receive) 1310nm.

Technical Specification

- **Standard Compliance:** IEEE802.3, IEEE802.3u, IEEE802.3d Fast Ethernet 10/100, Base-TX and 100Base-FX
- **Data Transfer Mode:** 155Mbps
- **Duplex Mode:** Full or Half Duplex Mode
- **Power Requirement:** AC 100-260V (50Hz) / DC 5-12V 1A
- **Ambient Temperature:** up 0°C to 70°C
- **Humidity:** 5% to 90%
- **Dimensions:** 26 x 71 x 97mm (H x W x D)

Data Transfer Rate

- 100Mbps:148,800pps
- 10Mbps:14,880pps
- BufferMemory:128K

Connector

- RJ-45:10/100Mbps (Auto-negotiation)
- SC: 100Mbps

Cable

- TP: Cat.5 (Support distance up to100m)
- Fiber: 9/125 (Support distance up to 25Km)

Flow Control

- IEEE802.3xcompliantforfull-duplex
- Backpressure flow control for half-duplex

LED Indicator LED Color Function

- FX LNK/ACT Green Lit when both fiber &TP connection are good; blink when fiber data is present
- FX FDX/COL Amber Lit when full-duplex mode is active Off when half-duplex mode is active; blink when collision is present
- TX LNK/ACT Green Lit when TP connection is good; blink when TP data is receiving
- TX 100 Green lit when TP speed is100Mbps; off when TP speed is10Mbps
- POWER Green Lit when 12Vpower is coming up

Power supply

External AC/DC adapter

- Input: AC 85-265V, 50-60 Hz, 0.28A
- Output: DC 12V, 1A
- Operation Temperature: 0~50°C
- Humidity: 5~90%
- Dimensions: 26.2(H) x70.3 (W) x94-(D) mm
- Weight: 0.4kg
- Certification: FCCPart15ClassA&CEMark

Fiber Optic Detail:

- SM Mode – 25 KM
- Connector Type - SC
- Fiber Type - Single-mode
- Wavelength - 1310/1550 nm
- Typical Distance 25Km
- Min TX PWR -15.0dBm
- Max TX PWR -7.0dBm
- Sensitivity -30.0dBm
- Link Budget 15.0dBm

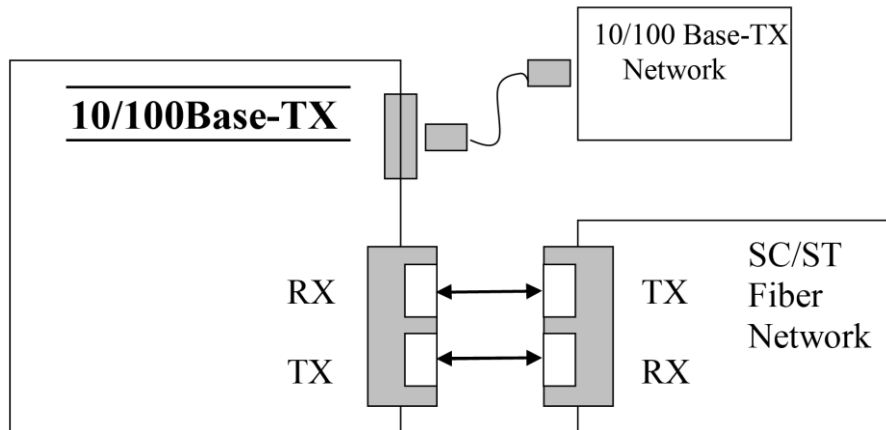
Installation

Please follow the procedure outlined below:

- Turn off the power of the device/station in the network in which the converter will be installed.
- Ensure that there is no activity in the network.

- Attach fiber cable from the converter to the fiber network. The fiber connections must be matched-transmit socket to receive socket.
- Connect the power cord to the converter.
- Turn on the power of the converter and check that the Power LED lights up. The TP Link and FX

Link LEDs will light when all the cable connections are satisfactory.



Ordering information:

STM-206A25 - 10/100M single mode 1310/1550nm 25km media converter

STM-206B25 - 10/100M single mode 1550/1310nm 25km media converter